

MonoRail - the adjustable clamp profile for glass railings



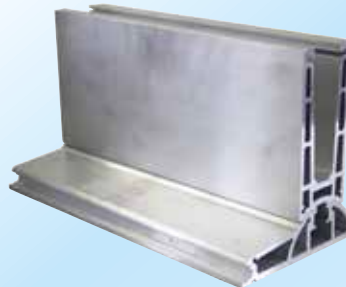
MonoRail

- stable hollow-chamber profile 137x60mm in aluminium anodised for horizontal force 0,5 KN/meter (private use) respectively 1,0 KN / meter (public use)
- side- or ground assembly with additional angles- and flat profile possible
- ground- and U-profile are assembled with socket screw DIN 912 (better adjustment)
- glass thickness 13,52 + 17,52 + 21,52 to be clamped
- appropriate glass shields available
- no lashing of glass panels with wedge and rocker, through alignment of +/- 3 degrees
- aluminium profiles are aligned before assembly of glass shields
- top cover with handrail $\varnothing 42,4$ (stainless steel/ aluminium/ wood) or edge protection possible
- general construction certificate
- use wedges and seals of system GlasRail
- LED illumination for U-profile and ground profile 142mm available

type selection



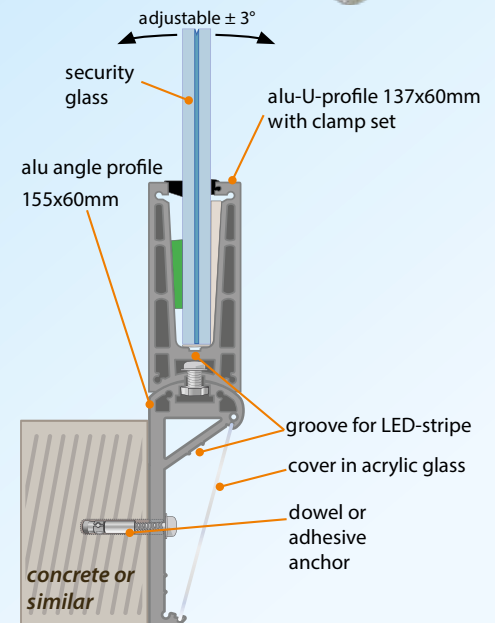
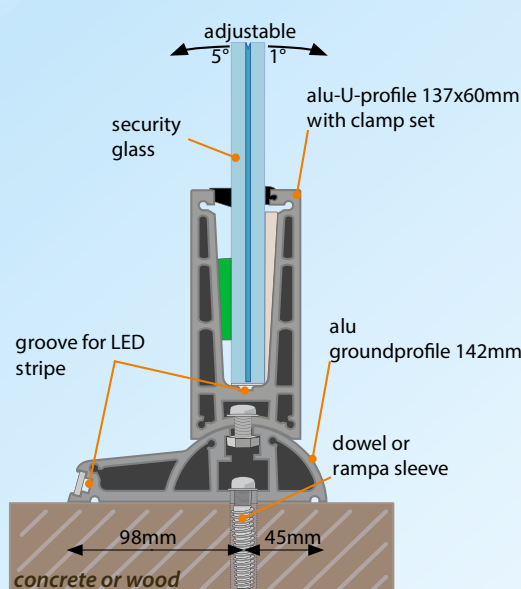
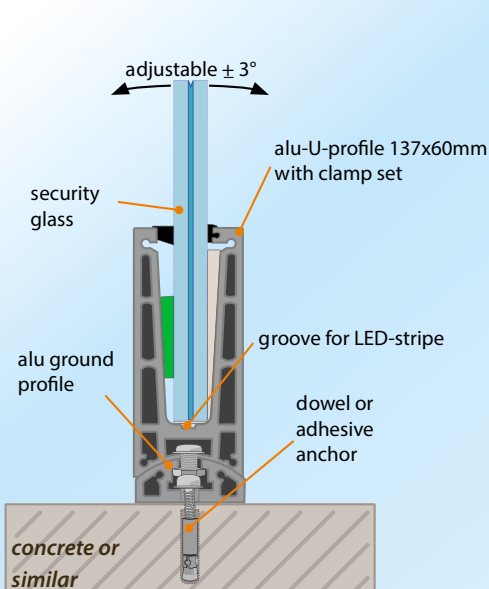
MR2



MR3



MR19



▶ **step tubs in aluminium** - for stringer- and middle beam staircases



- step tub made of weather resistant anodized aluminium
- step profile in any length possible
- hidden bolting in step tub - no angles or screws visible
- step depth of 30cm fits perfect to tiles for terrace and boards
- all insertions in wood, marble, glass or tiles are possible
- wooden deck for terrace can be used for staircase
- integrated LED illumination on step bottom provides safe walking during obscurity

▶ **GlasCover** - edge protection profile



- quick an endless assembly through centring pin and double sided tape
- can be used for all glass-railings (except on GlasPod railings)
- as mini-handrail useable
- protection of glass edge against damages and diffusion of PVB foil with VSG (laminated glass)
- filigree an decent design

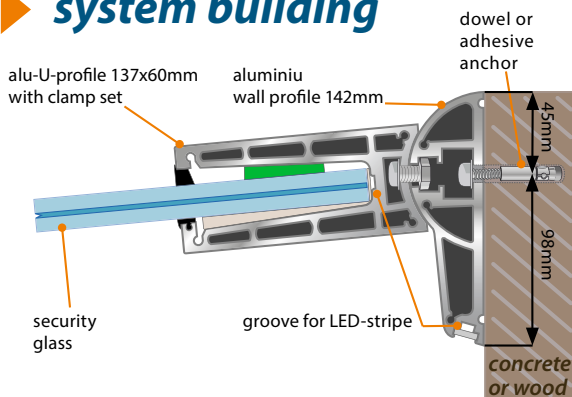
▶ **MonoLine** - the free floating all-glass canopy



MonoLine 1800x1200mm

- free floating canopy with hollow-chamber U-profile in aluminium anodized
- no suspension or support needed
- hidden safety mechanism with five degree inclination of glass against sliding through
- aluminium wall profile 142mm with seal string
- glass width 13,52 + 17,52 mm clampable
- standard glass dimension: VSG 1500x1000mm + 1800x1200mm
- glass depth up to 1400mm with VSG 10+10 possible (not suitable for all wall-structures)
- general construction certificate (AbZ) applied
- self-adhesive stainless steel gutter with fixing clip
- integrated LED illumination for glass edge and wall profile available

▶ **system building**



LED-illumination available

